

AP2-20N

Motion detection and smart automation



Narrow curtain indoor motion detector providing reliable and stable performance up to a range of 6m (20ft.). Ideal for protecting windows, hallways, doors and a variety of other commercial and residential applications.



Reliable motion detection
with a range of up to 6 m (20ft.)



Easy installation in wall or ceiling
creating a curtain detection area



Flexible mounting height
between 2.4 - 3.6 m (8ft. to 12ft.)

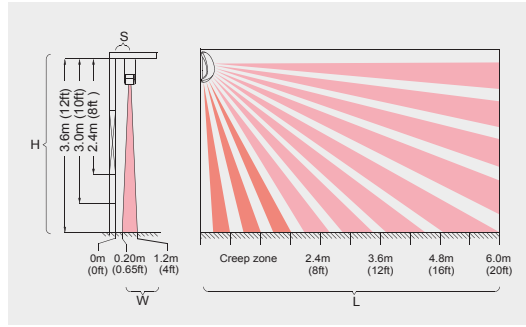


Reliable narrow beam detection with high-density detection field

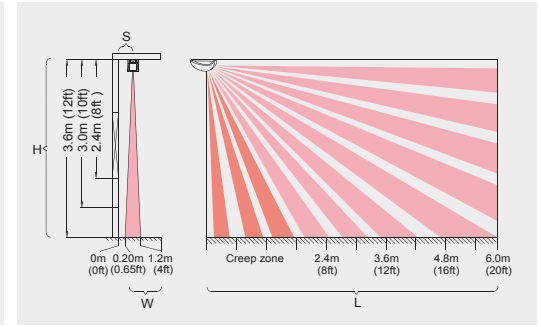
Flexible installation



Wall mount



Ceiling mount



Selectable sensitivity

Detection sensitivity can be adapted to the ambient conditions for stable performance.



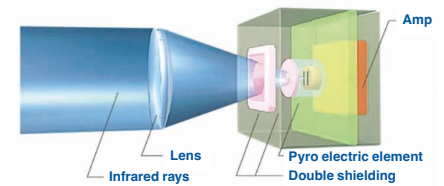
Specifications

MODEL	AP2-20N
Detection Method	Passive Infrared
Coverage	6m x 1m - mounting height at 3.6m (20ft x 3.3ft - mounting height at 12ft)
Mounting type	Wall and ceiling
Mounting Height	2.4m - 3.6m (8ft - 12ft)
Area Width	1m max - mounting height at 3.6m (3.3ft max - mounting height at 12ft)
Sensitivity	2°C at 0.6m/s (35.6°F at 2ft/s)
Detection speed	0.3m - 3m/s (1ft - 10ft/s)
LED Indicator	Switchable ON/OFF
Sensitivity Adjustment	H/L
Alarm Output	Approx. 2.5 sec, N.C., 28V DC, 200mA max
Tamper Switch	N.C., opens when cover is removed. N.C. 28V DC, 100mA (max)
Warm-up Period	Approx. 60sec
Power Input	9.5 - 16V DC
Current Draw	12mA (max)
Weight	Approx. 1.75oz (Approx. 50g)
Operating Temperature	-20°C - +50°C (-4°F - +122°F)
Environmental Humidity	95% max
RF Interference	No alarm 10V/m at 80MHz - 1GHz
Application Environment	Indoor

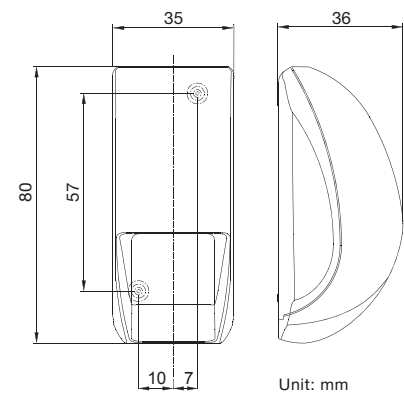
* Specifications and designs are subject to change without prior notice.

Double conductive shielding

OPTEX patented double conductive shielding allows the AP2-20N sensor to block RFI and visible light disturbance from sunlight or strong lamps.



Dimensions



Installation Parameters

Installation Height (H)	2.4m (8ft)	3.0m (10ft)	3.6m (12ft)
Max. area width	0.6m (2ft)	0.8m (2.5ft)	1m (3ft)
Max. area length	6m (20ft)	6m (20ft)	6m (20ft)
Recommended Distance Adjacent to Wall or Ceiling	0.5m (1.5ft)	0.6m (2ft)	0.7m (2.5ft)

