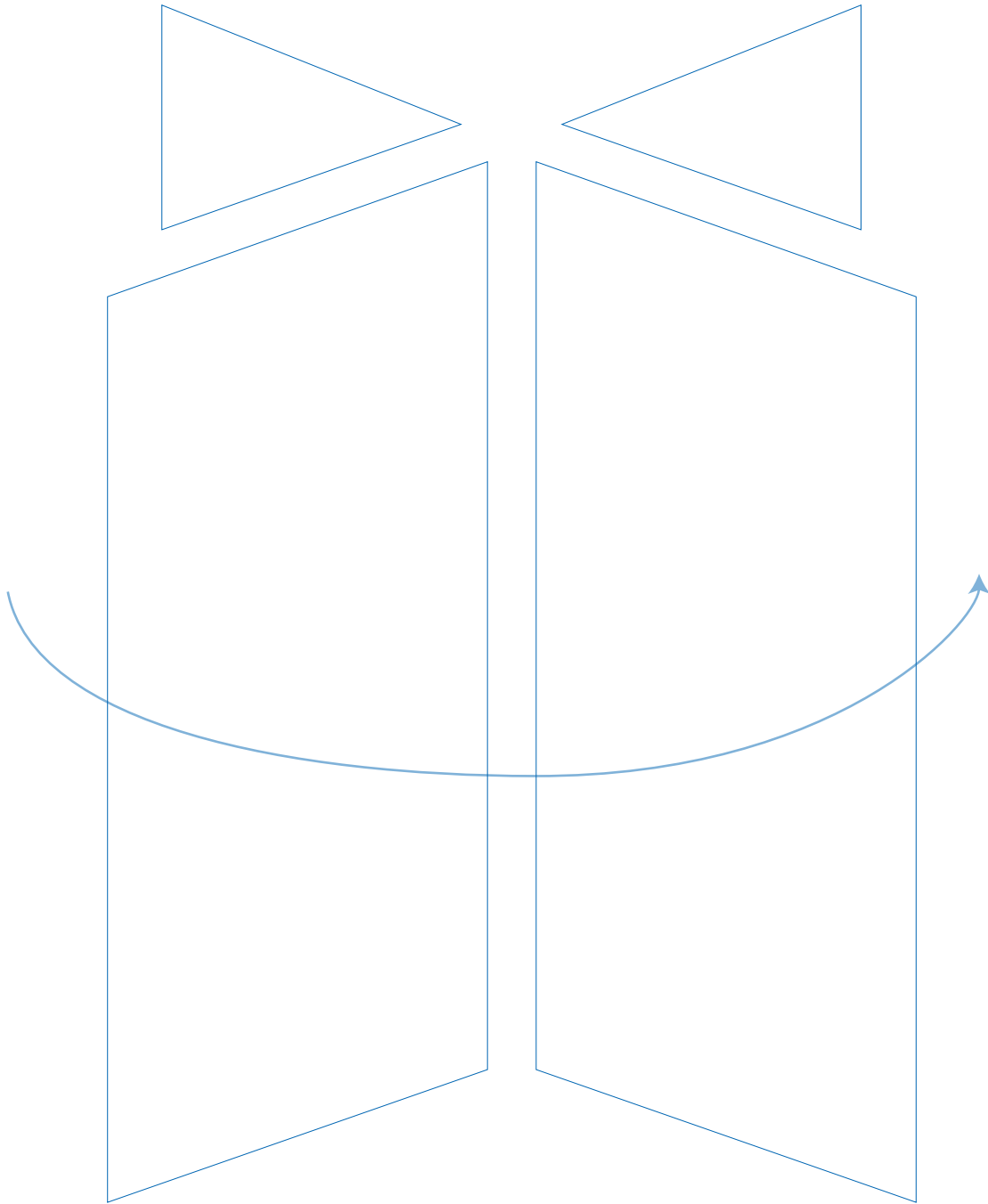


# REVOLVING DOORS

Sensor solutions for revolving doors



# Icons

Optex is the preferred supplier for Entrance detection systems. Our portfolio includes safety and activation solutions for automatic Swing, Sliding, and Revolving doors, as well as products for Secured Entry and Industrial door applications.

## Proven technologies, trusted solutions

Please contact us for more information

Optex Technologies B.V.

Henricuskade 17

2491 DH The Hague

T +31 70 419 41 00

E [info@optex.eu](mailto:info@optex.eu)

[www.optex.eu](http://www.optex.eu)

MICROWAVE TECHNOLOGY



INFRARED TECHNOLOGY



INFRARED TECHNOLOGY  
& LOOKBACK



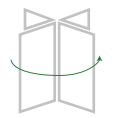
DUAL TECHNOLOGY



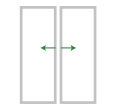
LASER TECHNOLOGY



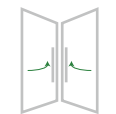
REVOLVING DOOR



SLIDING DOOR



SWING DOOR



VERY LITTLE TRAFFIC



AVERAGE AMOUNT OF TRAFFIC



A LOT OF TRAFFIC



MOUNTING HEIGHT



INFRARED FINDER



ENERGY SAVING



" A speedy, hassle free access makes for happy customers"



# RANGE OF REVOLVING DOOR SENSORS

OA- EDGET

**P7**

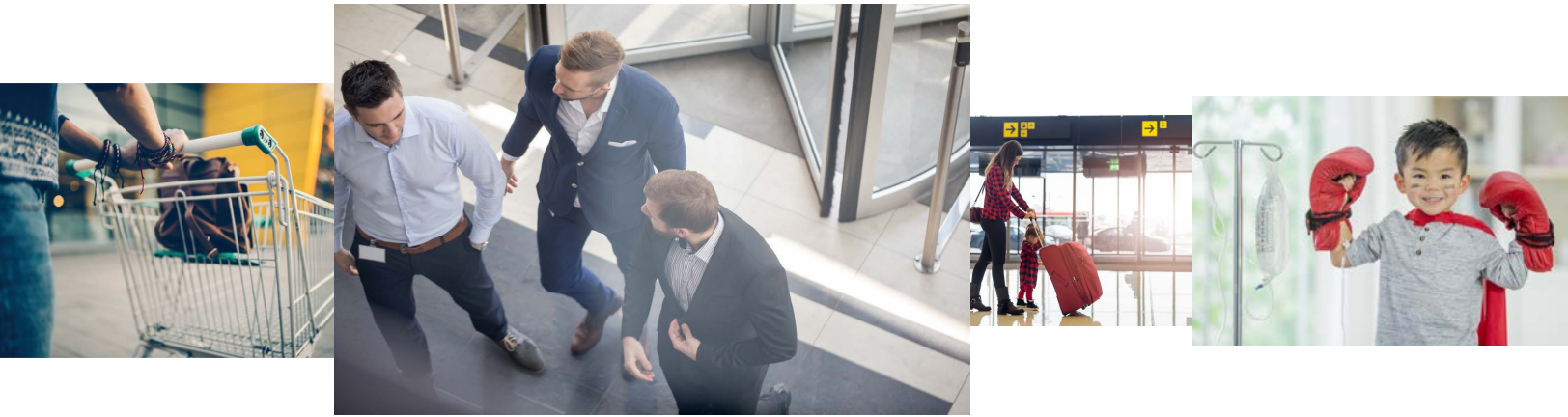
OM-106

**P9**





A speedy, hassle free access for by people, by people



"The Optex mission is simply to help our customers face their individual challenges, while our goal is to invent a better future for the people of the world"

# OA-EDGE T



The Optex OA-Edge T is developed to **increase the safety level on automatic swing doors**. This sensor is based on the Optex AIR technology. Due to the **modular design** you can upgrade the safety level of the sensor by adding additional module

## PERFORMANCE

### Module

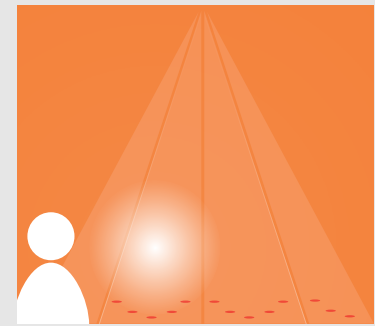
The sensor can be assembled using **master and slave modules** according to the required safety level and the width of the swing door. For a standard configuration of 1 sensor one master module is required. Depending on the door width, a maximum of 3 slave modules can be connected to this master module.

### Easy installation

The sensor is **easy to install** by simply clicking the master and slave modules into the profile, the master and slave modules are connected by a communication cable with connector. Alternative power supply connector on the master module makes installation **more flexible and quicker**.

### Highlights

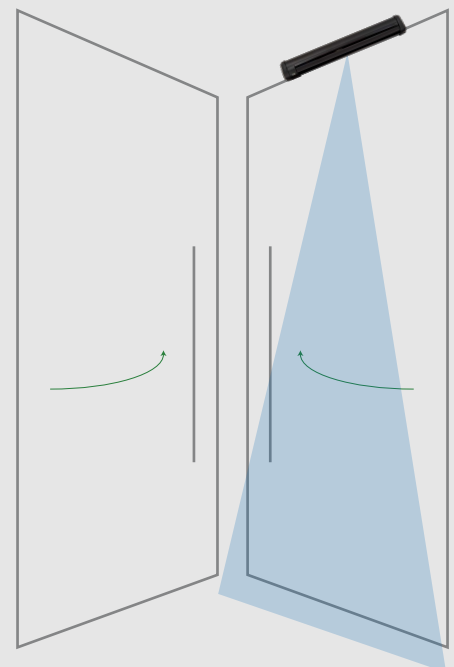
- slim design
- high level of safety
- quick adjustment
- EN 16005 approved



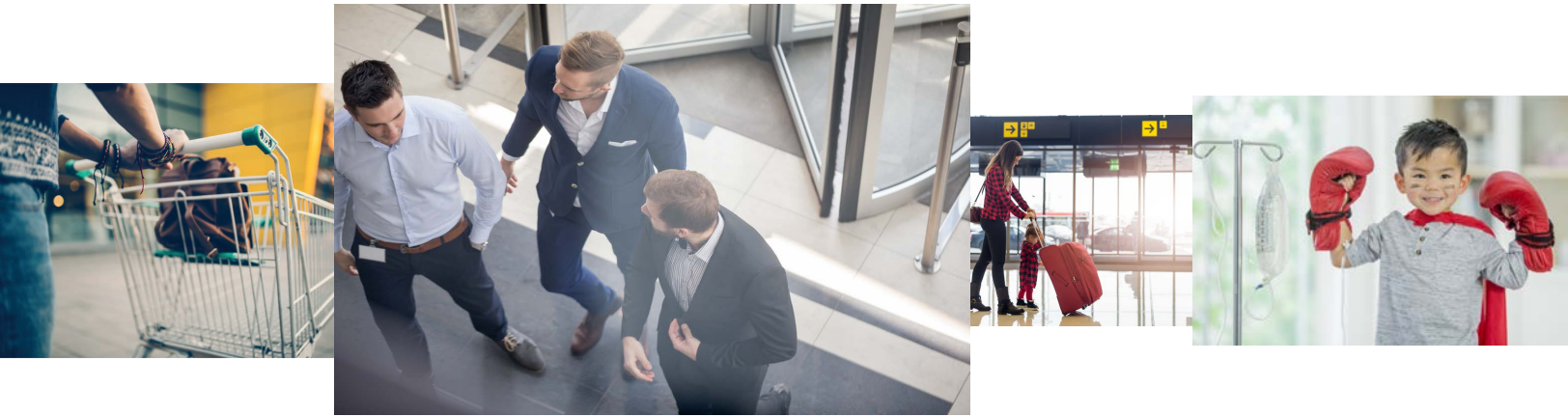
AIR TECHNOLOGY



## PLACEMENT OF THE SENSOR



**A speedy, hassle free access for by people, by people**



"Creating reliable products to gain our customers' trust in every situation is our first duty. However, we are not simply a product manufacturer. We believe in leading the market and are constantly working to identify needs that our customers themselves may not even be fully aware of."



# OM-106



The OAM-Dual series provide **safety around the door and through the threshold** yet at the same time the redundant microwave guarantees a **comfortable opening** of the door at all times.

## PERFORMANCE

### Motion detection

The large **microwave motion detection area** provides fast detection for any traffic, approaching from any angle, which allows the door to open fast and conveniently.

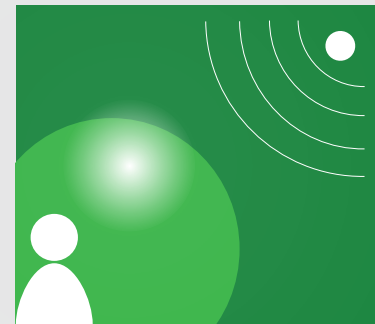
The **presence and motion detection areas** can be adjusted independently. By selecting a dipswitch the active infrared detection area can be set to safety only or to safety and activation.

### Look back

The OAM-Dual provides an **extra row of presence detection** that looks into the threshold for **additional safety**. This row will be automatically shut off when the complete presence detection area is cleared and as soon as the doors start to close. The installation of **safety beams is no longer mandatory**.

### Highlights

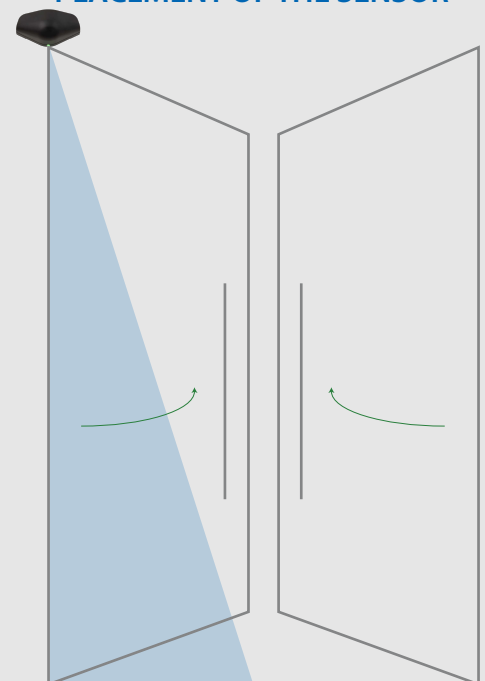
- safety/lookback function
- switches & shutters for easy installation
- uni directional function
- energy saving
- EN 16005 approved

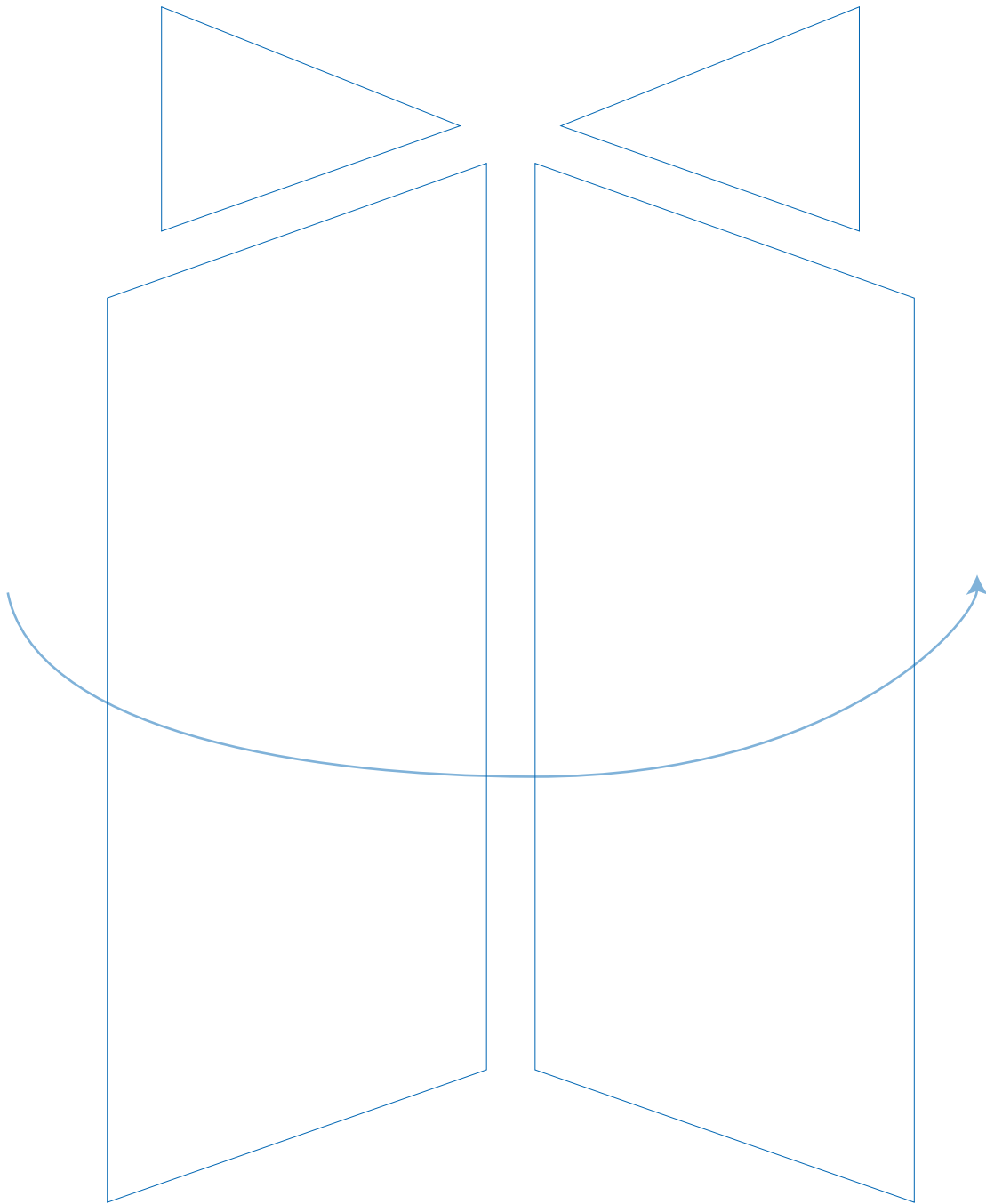


MICROWAVE TECHNOLOGY



## PLACEMENT OF THE SENSOR





## Optex Technologies B.V.

Henricuskade 17  
2491 DH The Hague  
T +31 70 419 41 00  
E [info@optex.eu](mailto:info@optex.eu)  
[www.optex.eu](http://www.optex.eu)